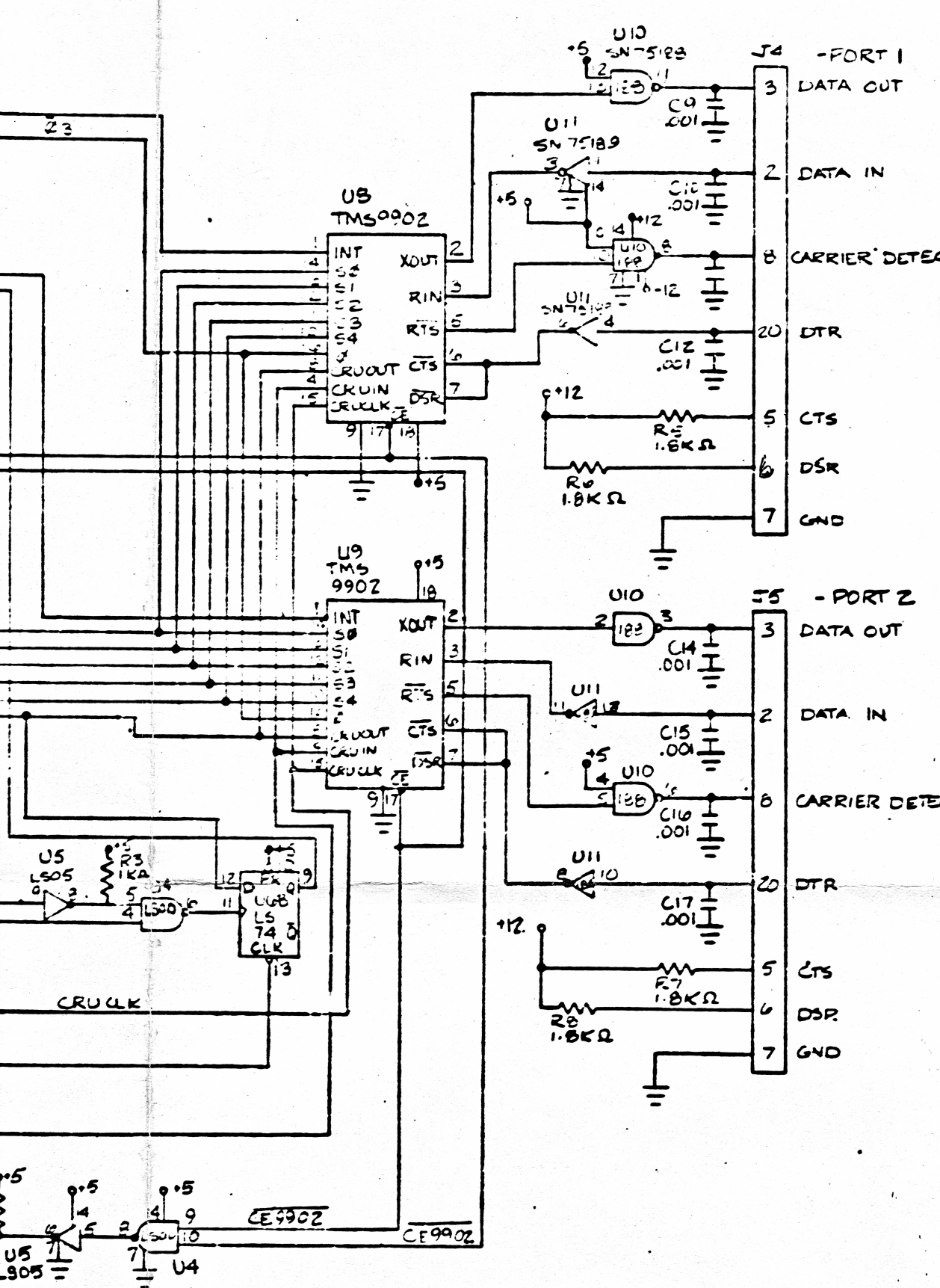
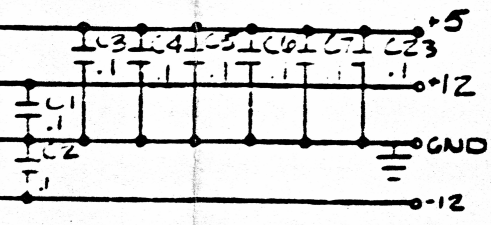


HIGHEST REF DESIGNATORS USED	REF DESIGNATORS NOT USED
C23	U11, C8, C13, C18, C22
R16	R5, R6
A15	J6

REVISIONS			
ZONE	LTN	DESCRIPTION	DATE
		FORMAL RELEASE	



NOTES: UNLESS OTHERWISE SPECIFIED
 1. ALL CAPACITOR VALUES IN μ F.
 2. ALL RESISTORS 1/4 W, 5% TOL
 3. ALL IC'S ARE 74LS SERIES
 4. C:9 THRU C:21 ARE FEED THRU CAPS TO SHIELD.



QTY	REQD	ITEM NO	PART OR IDENTIFYING NUMBER	NOMENCLATURE OR DESIGNATION	REMARKS
-----	------	---------	----------------------------	-----------------------------	---------

HIGHEST REF DESIGNATORS USED		REF DESIGNATORS NOT USED		UNLESS OTHERWISE SPECIFIED • DIMENSIONS ARE IN INCHES • TOLERANCES: ANGLES 2 3 PLACE DECIMALS 2 PLACE DECIMALS • DIMENSIONING IN ACCORDANCE WITH ANSI Y14.5 MATERIAL:	PARTS LIST DWN: [Signature] DATE: 8/15/72 CHK: [Signature] DESIGNER: A. NIVAS CA: [Signature] APVD: [Signature] PRODUCT ENG: [Signature] DESIGN ACTIVITY RELEASE: [Signature]		TEXAS INSTRUMENTS CALCULATOR PRODUCTS DIVISION ELECTRONIC SCHEMATIC DIAGRAM PRODUCT 156 RS 22 - LOGIC	
C23	U11	C8, C13, C19, C22			SUP DWG: [Signature] SIZE: D DRAWING NO: 1037105			
R16	D7	R5 R6			SCALE: 1:1 REV: LTR: SHEET: 1			
A15	36			CLASS CODE: +0				

D

C

B

D 1037105

A